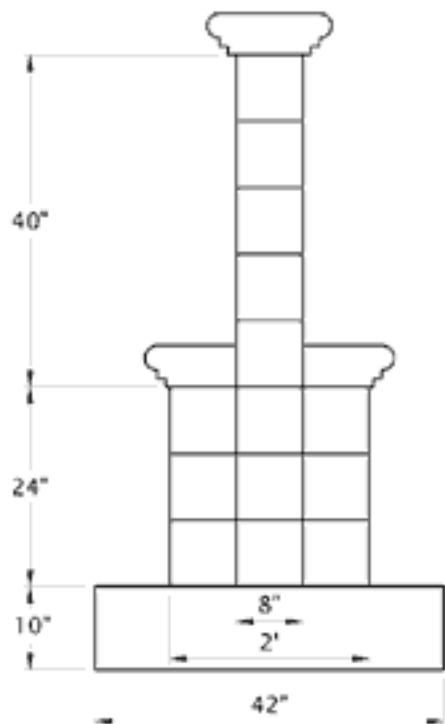
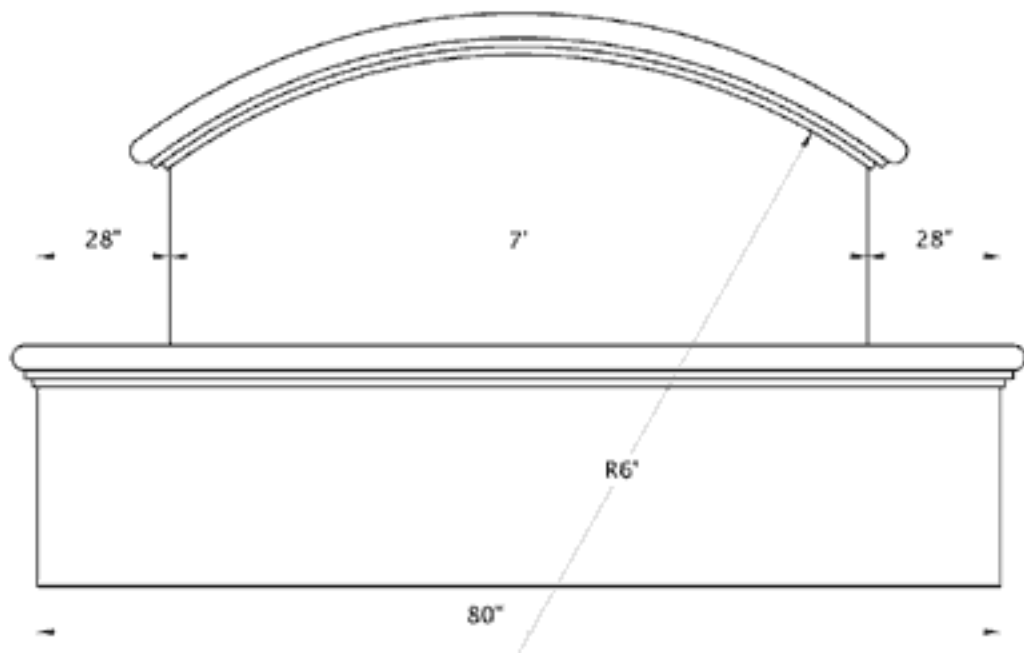


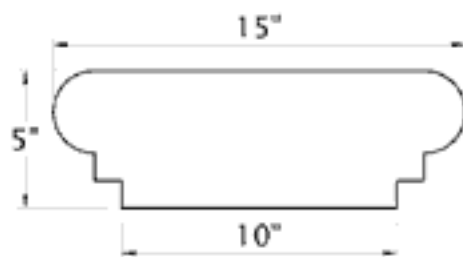
Item#: HRD – NS 001



Wall Section



Sign Elevation



Cast Stone Profile
61.7 Lbs/L.F.