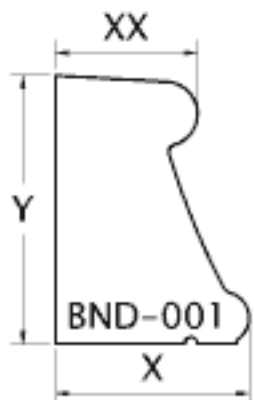
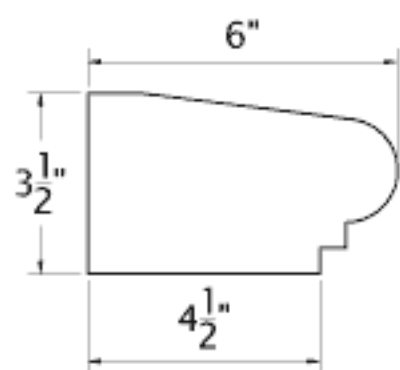
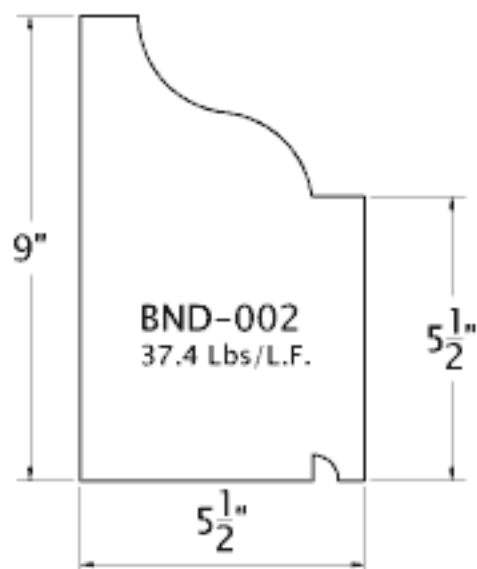


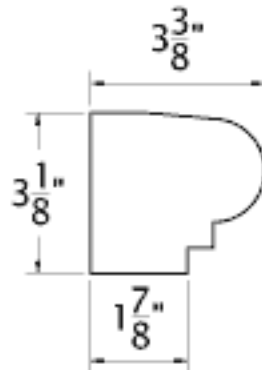
Banding



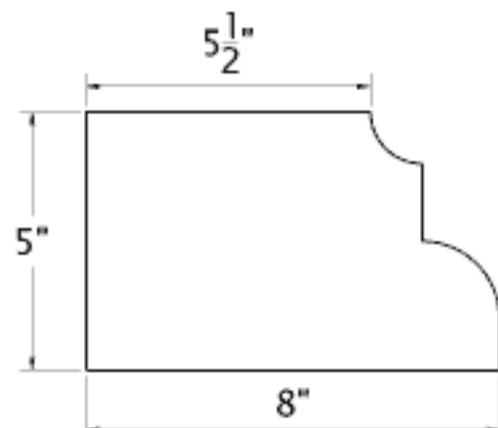
Style #	X	XX	Y	Lbs/L.F.
BND-001	3 $\frac{3}{4}$ "	2 $\frac{3}{4}$ "	5 $\frac{3}{16}$ "	13.8
BND-001	6"	3"	7"	25.6



BND-003
16.9 Lbs/L.F.



BND-004
8.2 Lbs/L.F.



BND-005 33.2 Lbs/L.F.